

Art.No 22-00-00

Art.No 22-10-00

Art.No 22-10-10

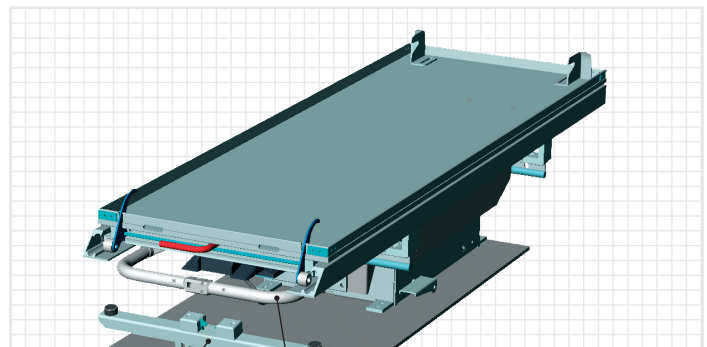
The tilt and load base is designed only for use of paramedics in the patient transport. The base is suitable for all Pensi platforms. It is designed to increase the functions of the platform and to make the patient treatment easier during the transport.

The platform can be drawn out of the vehicle (940 mm). The use of the base under the platform allows higher treatment height inside the vehicle. With this base, the loading angle of the platform can be adjusted.

The tilt and load base fulfils the requirement of EN1789.



▲ Tilt and load base 22-10-00 with Pensi basic platform



Rear fastening      Scoop stretcher

▲ Art. No 22-10-10 (all-in-one solution) with space and fastening for scoop stretcher

### Technical details

Weight	appr. 50 kg (depending on model)
Loading capacity	250 kg
Dimensions of the table top	1650 x 560 mm or 2000 x 570 mm (depending on model and the required stretcher)
Sideway sliding	250 mm, locking in 3 positions (Art. 22-00-00 is without sideway sliding)
The tilt and load base can be turned to the shock position of 8°	