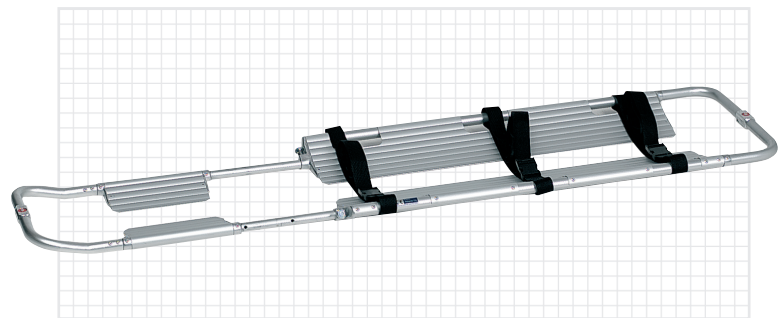
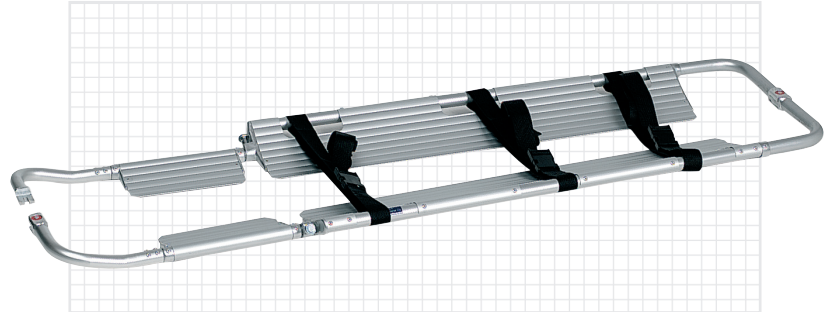


Art.No 31-20-00

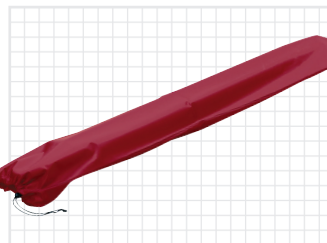
The scoop stretcher is designed for difficult body pick-ups. It is made of durable anodized aluminium and has 3 patient belts with quick release buckles.

The scoop stretcher fulfills the requirements of EN 1865.

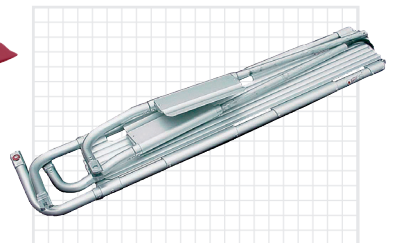


▲ with telescopic adjustment max length 1990 mm

| Technical details | |
|-------------------|---------|
| Max length | 1990 mm |
| Min length | 1650 mm |
| Length folded | 1200 mm |
| Height | 60 mm |
| Width | 450 mm |
| Weight | 8 kg |
| Loading capacity | 150 kg |

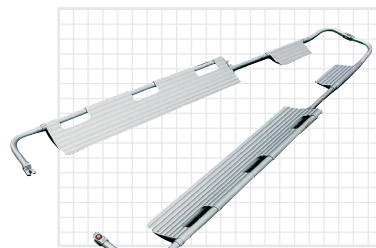


▲ Storage bag for the scoop



▲ compact for storage, length folded 1200 mm

| Accessories | |
|-------------|-------------------------------------------|
| 31-20-05 | Hooks for scoopstretcher (wall fastening) |
| 31-20-20 | Patient belts 3 pcs + bag |
| 00-31-42 | Storage bag for scoops stretcher |
| 00-31-43 | Wall hangable bag |



▲ opens at both ends of stretcher for patient intake